

Stealthbox®

INSTALLATION GUIDE
for the
SB-SC-XBG1/10W1v2
SKU#94435
2000



Thank you for choosing a JL Audio Stealthbox® for your automotive sound system. With proper installation, your new vehicle-specific enclosed subwoofer system will deliver years of listening pleasure.

We strongly recommend that you have your new Stealthbox® installed by your authorized JL Audio dealer. The installation professionals employed by your dealer have the necessary tools and experience to disassemble and reassemble your vehicle properly. If you prefer to perform your own installation, please read this installation guide completely before beginning the process.

JL AUDIO®
Ahead of the Curve™

! IMPORTANT

If you choose to perform the installation yourself, it is absolutely vital that the Stealthbox® be properly mounted to the vehicle according to these instructions. Failure to mount the enclosure properly presents two problems:

- 1) The sub-bass performance will suffer due to the movement of the enclosure caused by the force exerted by the woofer(s).
- 2) A loose enclosure presents a serious safety hazard in the event of a collision or sudden deceleration.

INSTALLATION DIFFICULTY:

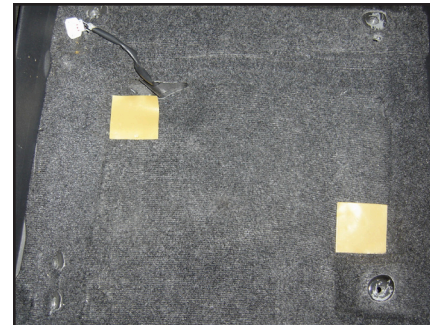
2 OUT OF 5

ESTIMATED TIME:
1-2 HOURS



STEP 1

Remove the passenger seat from the vehicle, make sure to unplug the seatbelt sensor.



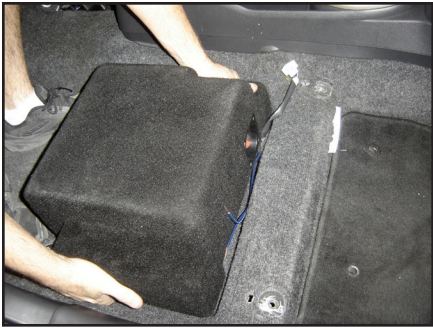
STEP 2

Place the two included 3" x 3" Wax Squares as indicated at left.



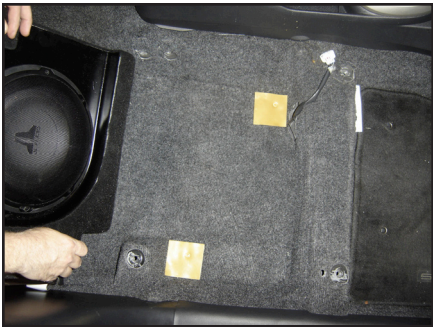
STEP 3

Thread the two included 3/8-16 x 2 1/4" Set Screws into the threaded inserts in the Stealthbox® leaving approximately 1/2" exposed.



STEP 4

Place the enclosure in position, pushing down so that indentations are produced in the 3" x 3" Wax Squares as shown in **Step 5**.



STEP 5

If indentations are not produced as shown after Step 4, back the 3/8-16 x 2 1/4" Set Screws out of the enclosure in 1/8" increments and repeat **Step 4** until there are two clearly defined indentations in the 3" x 3" Wax Squares.

Once the indentations are made, back out the 3/8-16 x 2 1/4" Set Screws until approximately 1 1/4" is exposed. This is also a good time to verify the performance of the subwoofer before mounting it.

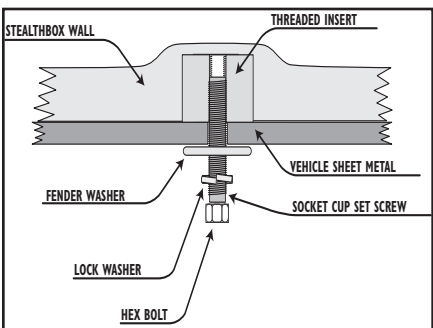


STEP 6

Using the indentations made in **Step 5** as a guide, drill a 1/2" hole through the floor in both locations.

CAUTION

Before drilling, always make sure that you are not going to be drilling into any gas lines, brake lines, transmission lines, electrical wiring, exhaust systems or anything else that might cause a reduction in your weekly pay. Always wear eye protection when drilling.



STEP 7

Install included hardware as shown on each of the 3/8-16 x 2 1/4" Set Screws. Connect the wire from the amplifier, re-install the seat that was removed at the start, plug in the seatbelt sensor that was unplugged.

CONGRATULATIONS!

You have completed the installation for this model!

Enjoy your new Stealthbox®!

Please refer to the Power Recommendation section for an amplifier recommendation and basic set-up help.

INCLUDED HARDWARE

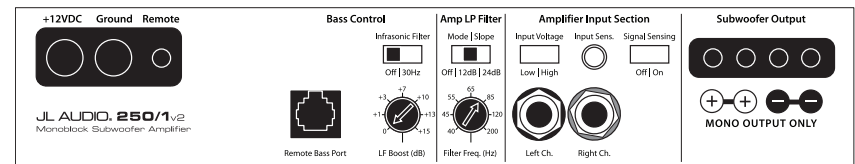
- 2) 3/8" Split Lock Washer
- 2) 3/8-16 x 2 1/4" Set Screw
- 2) 3" x 3" Wax Square
- 2) 3/8" x 1 1/4" Fender Washer
- 2) 3/8-16 Hex Nut

SPECIFICATIONS

Enclosure Type: Acoustic Suspension (sealed)
 Driver Type: 10W1v2-4
 Nominal Impedance: 4 Ohms
 Continuous Power Handling: 300 Watts

POWER RECOMMENDATION

JL Audio recommends using a high quality amplifier such as the JL Audio 250/1v2. The diagram below shows the recommended crossover, infrasonic filter and equalizer settings for the 250/1v2 when being used to power your Stealthbox®.



The JL Audio 250/1v2 is a very versatile audio component. Please consult the owner's manual for even more detailed information about installing and tuning this amplifier.

MID/HIGH FREQUENCY DRIVER FITMENT

A variety of JL Audio coaxial and component systems will fit in the factory speaker locations of your vehicle.

Front Speaker Size / Location: 6 1/2" - Front Doors
 Fits JL Audio Models: TR650-CXi, TR650-CSi, VR650-CXi, VR650-CSi, C5-650, C5-650x & ZR650-CSi

Rear Speaker Size / Location: 6 1/2" - Rear Door
 Fits JL Audio Models: TR650-CXi, TR650-CSi, VR650-CXi, VR650-CSi, C5-650, C5-650x & ZR650-CSi



JL AUDIO®
Ahead of the Curve™

(954) 443-1100 www.jlaudio.com

All specifications are subject to change without notice. "JL Audio" and the JL Audio logo, "Stealthbox" and the Stealthbox logo are registered trademarks of JL Audio, Inc. "Ahead of the Curve" and its respective logo is a trademark of JL Audio, Inc.
 JLA-SKU# ***** **-**-2008 • Printed in USA • ©2008 JL Audio, Inc. • U.S. PATENTS: #5,734,734 #5,949,898 #6,118,884 #6,229,902 #6,243,479 #6,294,959 #6,501,844 #6,496,590 #6,441,685 #5,687,247 #6,219,431 #6,625,292 #D472,891 #D480,709 Other U.S. & Foreign patents pending. For more detailed information please visit us online at www.jlaudio.com.

